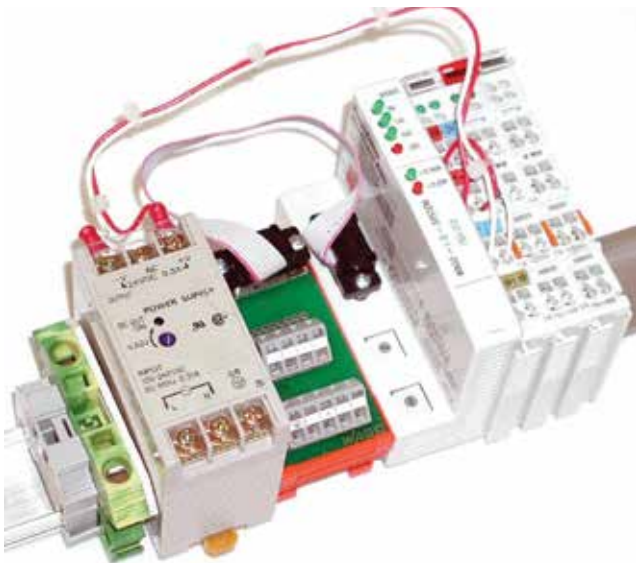


TRACETEK TT-NRM NETWORK RELAY MODULE



PRODUCT OVERVIEW

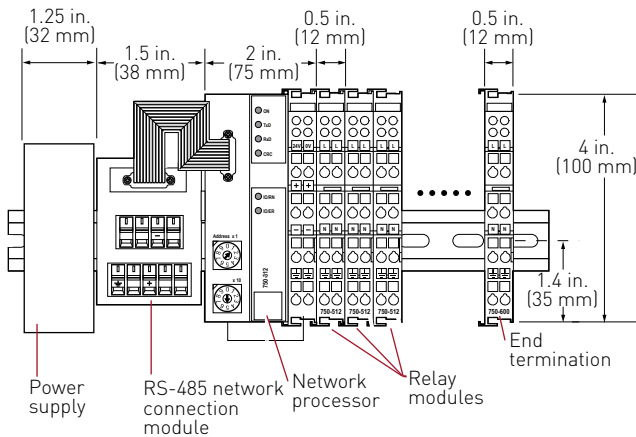
The TraceTek TT-NRM Network Relay Module provides the capability to add up to 320 individual alarm relays to a TraceTek TTDM-128 or TT-TS12 leak detection network. The TT-NRM communicates with the TTDM-128 or TT-TS12 via the same RS-485 network used for TTSIMs. The TT-NRM can be installed in a wide variety of configurations, allowing many leak detection system layout possibilities.

Expandable

The TT-NRM is supplied as a base unit (with power supply, communications interface, DIN rail and end blocks) and separate relay modules. Each relay module contains 2 independently addressable relays. Up to 16 relay modules can be installed on each base unit, and up to 10 base units can be connected to a single TTDM-128 or TT-TS12. The leak detection network can be expanded at any time with minimal effort.

Versatile

The TT-NRM can be installed in large panels, or wall mounted in its own optional enclosure. TT-NRMs can be centrally located with the TTDM-128 or TT-TS12, or distributed throughout the leak detection network to minimize wiring costs. The TT-NRM can be used to operate valves, control audible or visual alarms, or interface with other control systems.



Width = 5.0 in. + 0.5 in., per relay module (+ 3.5 in. for optional power supply)
= 127 mm + 12 mm per relay module (+ 90 mm for optional power supply)

TECHNICAL INFORMATION

Network compatibility		TTDM-128 or TT-TS12
Relays	Number	Up to 32 Form A contacts per TT-NRM
	Voltage rating	250 Vac, 30 Vdc
	Current rating	1 Amp
	Isolation	2.5 kV

ENVIRONMENTAL RATINGS

Storage temperature	-25 °C to 85 °C
Operating temperature	0 °C to 55 °C
Humidity	5% to 95% non-condensing
Ingress protection	IP 2X

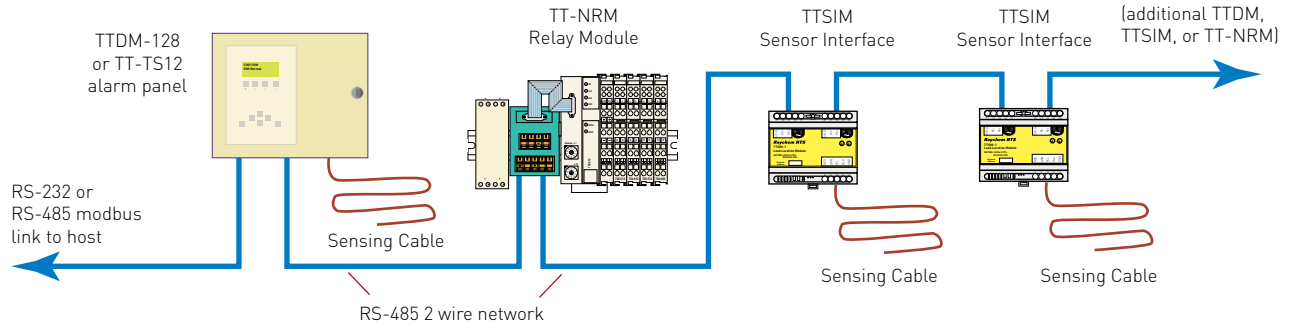
POWER REQUIREMENTS

Supply voltage	110-240 Volts, AC (50/60 Hz)
Power consumption	6 W

ORDERING INFORMATION

	Catalog number	Description
Base unit	TT-NRM-BASE	Base unit with power supply, communication interface and 1 relay output module (2 relays)
Relay modules	TT-NRM-2R0	Relay output module with 2 relays

TraceTek network arrangement



APPROVALS

Individual modules are listed or approved by UL, c-UL, KEMA and other national and international agencies. Contact the factory for questions regarding specific approvals.

ELECTROMAGNETIC COMPATIBILITY



Compliant with standards for immunity EN 50082-2 (industrial)
 Compliant with standards for emissions EN 50081-2 (industrial)



WWW.PENTAIRTHERMAL.COM

NORTH AMERICA

Tel: +1.800.545.6258
Fax: +1.800.527.5703
Tel: +1.650.216.1526
Fax: +1.650.474.7215
thermal.info@pentair.com

EUROPE, MIDDLE EAST, AFRICA

Tel: +32.16.213.511
Fax: +32.16.213.603
thermal.info@pentair.com

ASIA PACIFIC

Tel: +86.21.2412.1688
Fax: +86.21.5426.2937
cn.thermal.info@pentair.com

LATIN AMERICA

Tel.: +1.713.868.4800
Fax: +1.713.868.2333
thermal.info@pentair.com

Pentair is owned by Pentair or its global affiliates. All other trademarks are the property of their respective owners. Pentair reserves the right to change specifications without prior notice.

© 2002–2016 Pentair.

@pentairTBS